

# SM630U

*MP3-Compatible AM/FM CD Receiver*



## **USER'S MANUAL**

### ***CONTENTS***


Installation	<b>2</b>
DIN front-mount installation	<b>3</b>
DIN rear-mount installation	<b>4</b>
Removing the head unit	<b>4</b>
Detaching the front panel	<b>5</b>
Replacing the front panel	<b>5</b>
General controls	<b>6</b>
Radio controls	<b>7</b>
Audio controls	<b>8</b>
CD/MP3 Playback controls	<b>9</b>
How to select MP3 files	<b>10</b>
Controls behind faceplate	<b>10</b>
USB and SD/MMC operations	<b>11</b>
Remote control functions	<b>12</b>
Wiring diagram	<b>13</b>
Troubleshooting	<b>14</b>
Specifications	<b>15</b>

## Installation

**Before installing your new  CD Receiver, please review the items below carefully.**

Choose a mounting location where the unit will not distract or otherwise interfere with the driver's ability to control the vehicle.

Before final installation, temporarily connect the wiring, check it to ensure that it has been connected properly, and test the unit to make sure it is working correctly.

Use only the installation parts and hardware provided with the unit to ensure proper installation. Using other parts can cause malfunction and possible damage to your  CD receiver.

If installation requires drilling holes or other modifications to the vehicle, consult with your nearest dealer or professional car audio installer.

Do not install this unit at an angle in excess of 30° from horizontal, as it may affect performance.

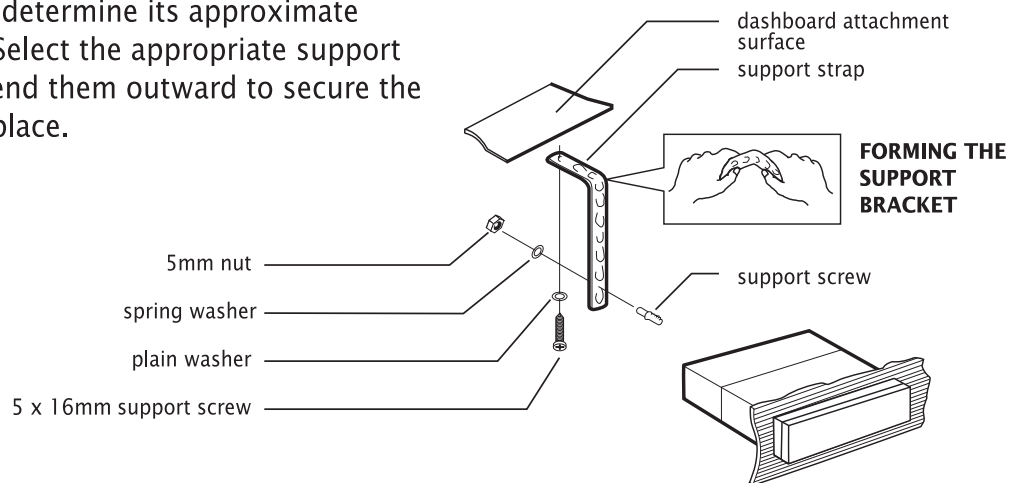
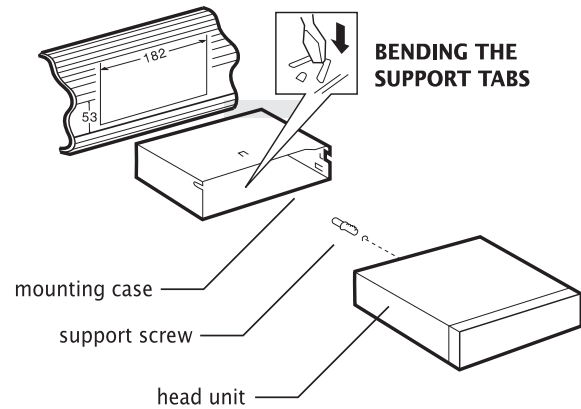
Avoid installing the unit in a location which is subject to high temperatures, direct sunlight, hot air from such sources as heaters or exhaust lines, or where it will be subject to contact with dust, dirt, moisture or excessive vibration.

## DIN front mount installation

**For details about installing the head unit, read the instructions below and refer to the diagrams for further clarification.**

Insert and tighten the “headless” support screw into the back of the head unit where shown.

Insert the mounting case for the head unit into the dashboard. Inspect the dashboard material to determine its approximate thickness. Select the appropriate support tabs and bend them outward to secure the bracket in place.



Bend the backstrap to conform to the mounting case and the dashboard surface to which you plan to secure the backstrap. Slide one of the utility holes on the backstrap onto the support screw and fasten it with the spring washer and nut provided.

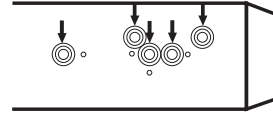
Using the 5 x 16mm screw and the plain washer, secure the backstrap to the dashboard surface as shown in the diagram. Tighten secure, and check the overall mounting to be sure it is safe and will not release in an emergency stop or other sudden movement of the vehicle.

## DIN rear mount installation (uses factory radio mounting bracket)

Select a position on the head unit housing where the screw holes of the factory radio mounting bracket align with the threaded screw holes on sides of the head unit. Insert screws in two such locations on each side, and tighten securely.

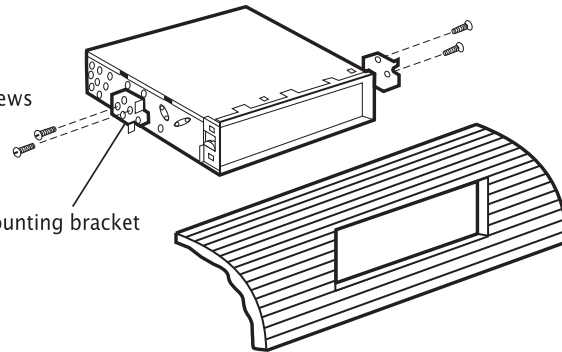
**NOTE: For the rear-mount installation, do not use the trim piece, backstrap or mounting case.**

select two mounting hole positions on each side of head unit



use two mounting screws on each side

factory mounting bracket



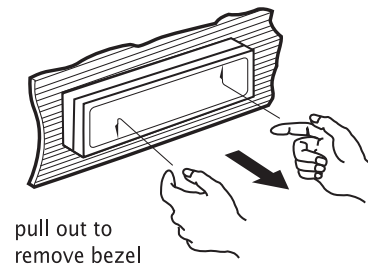
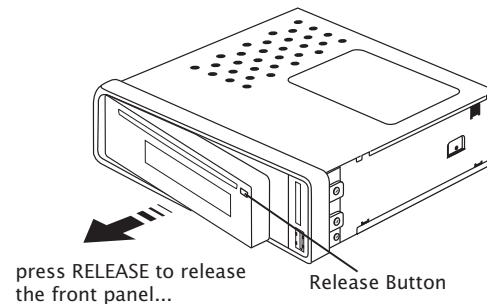
factory bezel or dashboard opening

## Removing the head unit

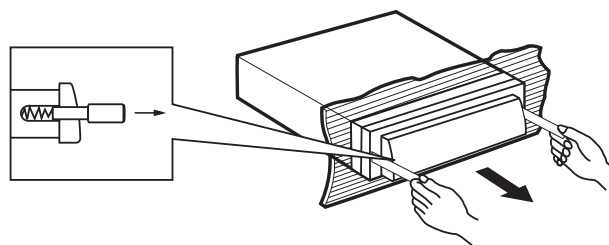
Before removing the bezel, press the RELEASE button to remove the front panel.

Insert your fingers into the groove along the right side or the left side of the frame (not both!) and pull out to remove the bezel.

Then, insert the keys supplied with the head unit into the grooves on both sides of the unit as shown in the drawing until you feel a "click." You can now use the keys to pull out the unit from the dashboard.



insert keys until "click" occurs, and then use keys to pull out head unit

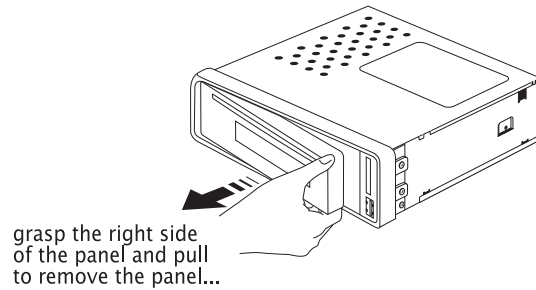
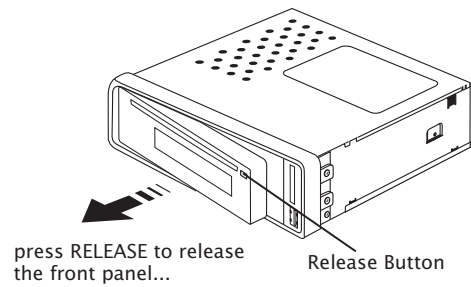


## Detaching the front panel

Press the RELEASE button to release the panel from the right side of the head unit.

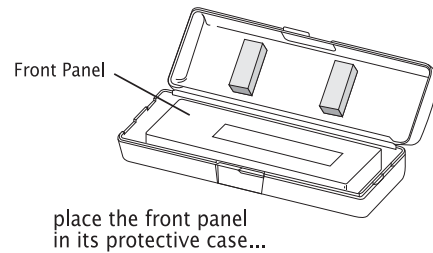
Grasp the right side of the panel and pull to remove it.

Immediately place the front panel in its protective case for safe and clean storage.



### Be careful when handling the front panel!

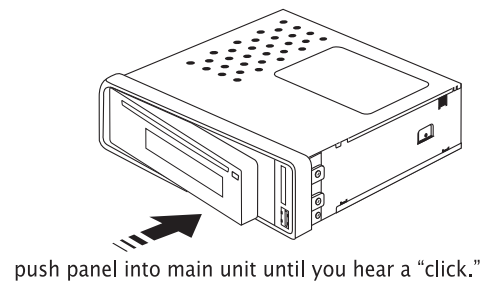
1. Do not drop front panel.
2. When detaching or reinstalling, do not put pressure on the display.
3. Do not touch the contacts on the panel or the main unit body – doing so may result in poor electrical contact.
4. Dirt or foreign substances can be removed with a clean, dry cloth.
5. Do not expose the panel to high temperatures or direct sunlight.
6. Do not permit volatile agents or solvents to contact the front panel.
7. Do not attempt to disassemble the front panel.



## Reinstalling the front panel

Push the front panel into the main body. You should hear a “click.”

**NOTE: If the panel fails to lock into position properly, the function of some controls may be impaired, and some segments of the display may not become illuminated. If this occurs, press RELEASE and reinstall the front panel.**



# Front panel controls

## GENERAL CONTROLS

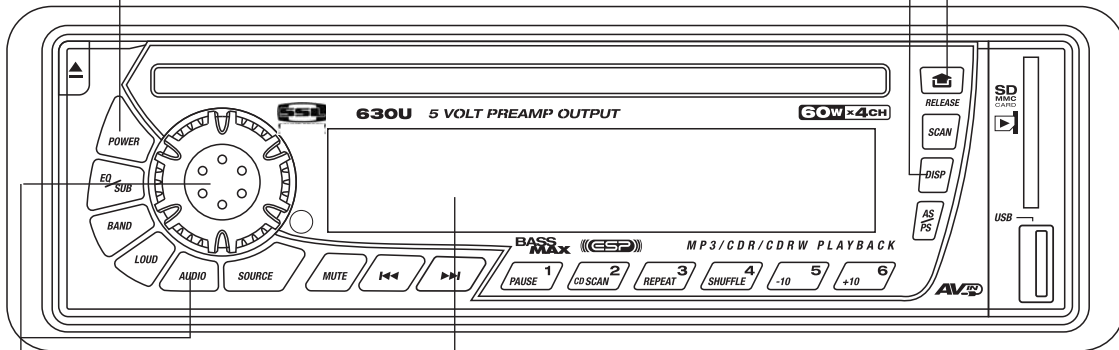
**POWER** Press any button to turn unit ON. To turn head unit off, press and hold POWER.

**RELEASE** Press to release and remove the front panel.

**DISP** Selects radio frequency or clock display.

To set the clock:

1. With clock display selected, hold down (DISP) button until clock display starts flashing.
2. Rotating VOL left to change minutes, VOL right to change hours.
3. Press (DISP) button to start clock



The Liquid Crystal Display will display the current state of the unit.

**BEEP MODE** When press the SEL button for more than 2 seconds, it is activated as selecting mode of these function.



**BEEP ON:** BEEP sound can hear from speaker when the buttons are pressed.

## RADIO CONTROLS

AS/PS Select six strong stations and store them in current band.

1. Select a band (if needed)
2. Hold A/PS button for more than three seconds. The new stations replace stations already stored in that band.

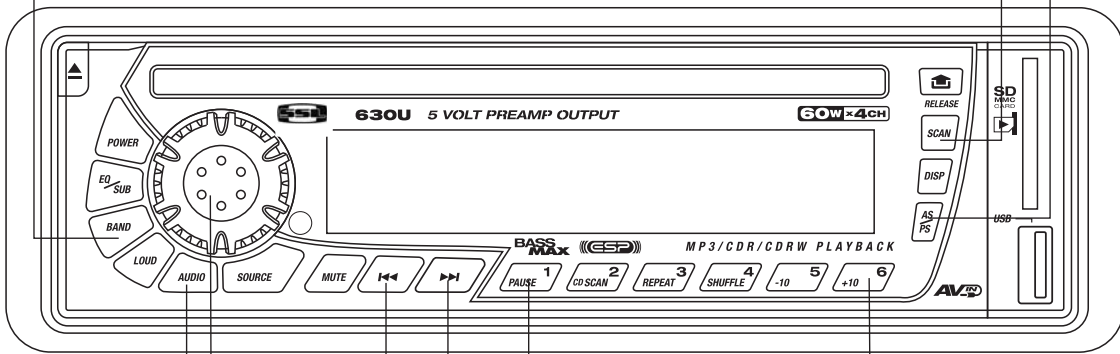
Preset Scan

Scan stations stored in current band

1. Select a band (if needed)
2. Touch A/PS for more than one second but less than three seconds. Radio pauses for five seconds at each station. Touch A/PS again to stop scanning when desired station is reached.

SCAN This key is operated as RADIO SCAN. The operation is similar as normal search but different thing is holding 5 seconds on every station detected in RADIO SCAN mode.

BAND Push this switch to select the desired band. Selection is made in regular sequence as FM-AM.



STATION PRESETS Six numbered preset button store and recall stations for each band.

Storing a station:

1. Select a band (if needed)
2. Select a station
3. Hold a preset button longer than one second. Preset station number appears in the display when station is saved.

Recall a station:

1. Select band (if needed)
2. Press a preset button for less than one second to select stored station.

TUNE BUTTONS When pressed for less than 1 second, these keys operate as manual tuning mode.

When pressed longer than 1 sec., they are operated as SEEK tuning mode. If the keys are not pressed for 3 seconds, they will return to SEEK mode again.

SEEK MODE When press this button for more than 2 seconds, it is activated as selecting mode of these function.



SEEK 1: When SEEK 1 mode is activated, AUTO SEEK SCAN is stopped when station is detected even user still push SEEK button.

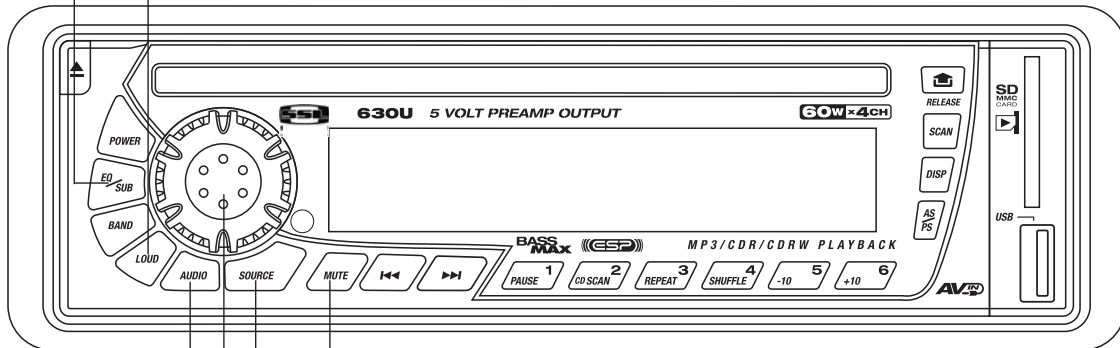
SEEK 2: Auto SEEK SCAN is not stopped even station is detected if user push SEEK button. When release this SEEK button, then stop when station is detected.

# Front panel controls

## AUDIO CONTROLS

EQ Press repeatedly to cycle through five modes: POP M, ROCK M, CLASS, FLAT M or DSP OFF.  
SUB Press and hold to engage subwoofer output.

LOUD Press this button to increase the level of bass output.

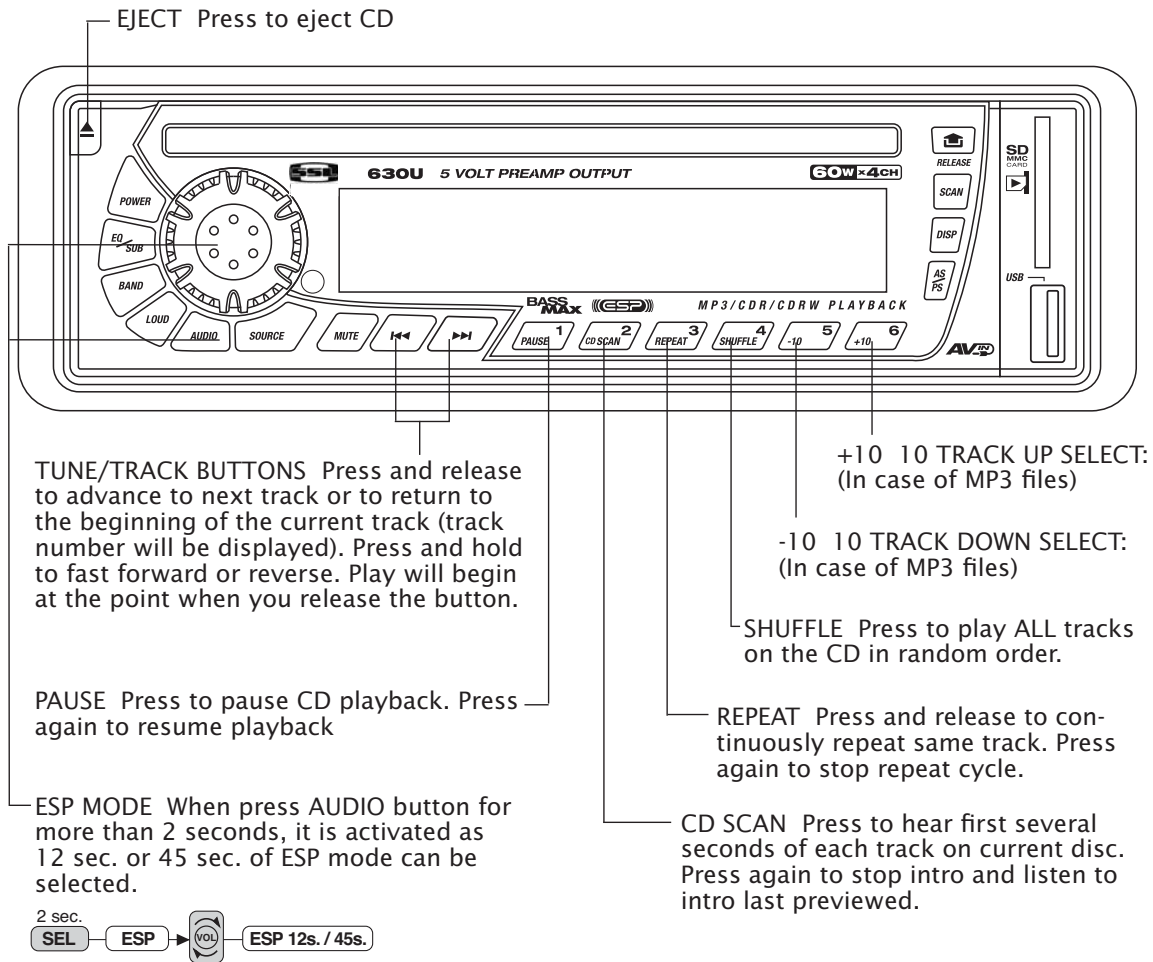


MUTE Press to silence the receiver. Press again to return to normal operation.

SOURCE By pressing this key, user can select AUX/TUNER/CD-MP3/USB or MMC/SD mode.

AUDIO BUTTON and ROTARY CONTROL Press the button repeatedly to access Volume, Bass, Treble, Balance and Fader functions. Then use the knob to adjust the selected function.

## CD/MP3 PLAYBACK CONTROLS



### CD/MP3 Operation

**To PLAY a CD** gently insert a CD with the label side up into the disc slot. It will automatically load and begin playing the first track.

**To EJECT a CD** press EJECT to stop the CD playback and eject the CD from the slot. The receiver will automatically switch to radio mode.

**To PAUSE a CD** press PAUSE to stop playback temporarily. Press again to resume playback.

**To SKIP TRACKS** press the **▶▶** or **◀◀** key to choose the next or preceding track.

**To FAST FORWARD or REVERSE** press and hold the **▶▶** or **◀◀** key to the desired location on the disc. Releasing the button starts playback at the location.

**To REPEAT a TRACK** press REPEAT to continuously repeat the current track. Press again to return to normal playback mode.

**To PREVIEW ALL TRACKS** press CD SCAN to play the first several seconds of each track. Press it again to stop and play the current track being previewed.

**To PLAY TRACKS IN RANDOM ORDER** press SHUF to play ALL tracks on the CD in random mode. Press again to cancel this function.

# Front panel controls

## How to select MP3 files

### Searching Track:

- Press "AS/PS", then search track is activated.
- Press "AUDIO" button, then the first digit will flash.
- Rotary "VOL knob to right or left", select first digit desired.
- Press "AUDIO" button, then the first digit is fixed and second digit will flash.
- Rotary "VOL knob to right or left", select 2'nd 3'rd respectively.
- Then automatically the song selected will start.

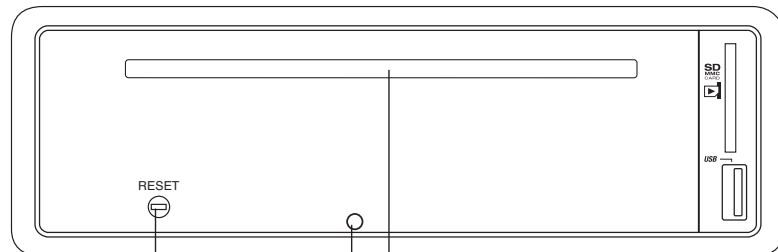
### Searching File Name:

- Press "AS/PS" twice, then file search is activated.
- Press "AUDIO" button, then the first directory is displayed.
- Rotary "VOL knob to right or left", you can select the desired directory.
- Press "AUDIO" button again, then the directory is fixed and the first file name is displayed.
- Rotary "VOL knob to right or left", you can select the file you want.
- Press "AUDIO" button, then the song selected will start.

### Searching Character:

- Press "AS/PS" 3 times, then character search mode is activated.
- Press "AUDIO" button, then "A" character is displayed.
- Rotary "VOL knob to right or left", you can select the desired letter.
- Press "AUDIO" button longer than 2 sec.
- The song with the same character you selected is displayed.
- Rotary "VOL knob to right or left", you can select the desired song.
- Press "AUDIO" button, then the song selected will start.

# Controls behind faceplate



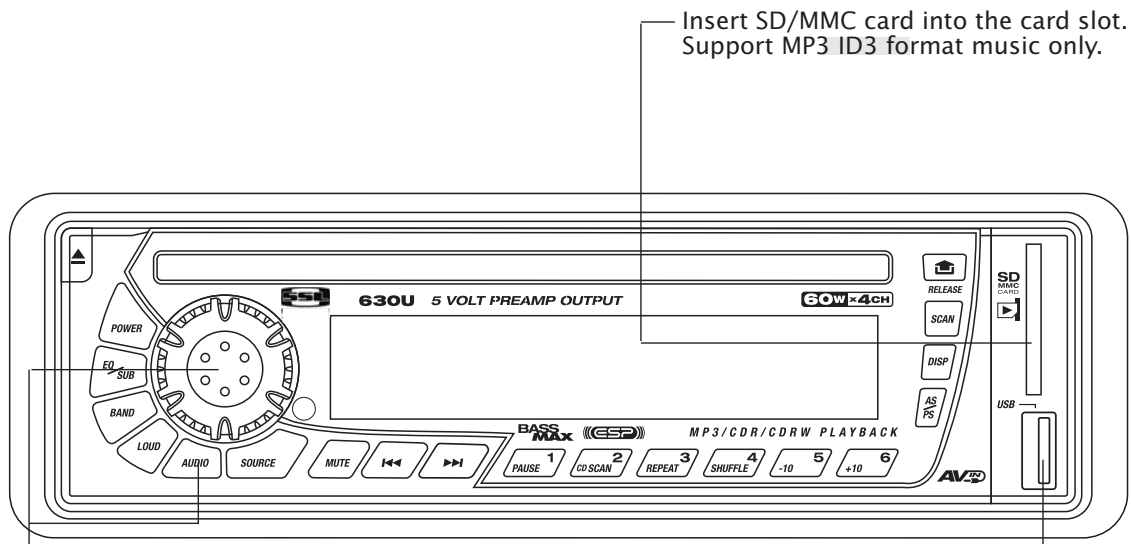
CD Loading/unloading slot

LED This LED flashes when the faceplate is removed.

RESET Press this button with a ballpoint pen or other thin object. The reset button is to be activated for the following reason:  
Initial installation of the unit when all wiring is completed.  
All the function button do not operate.  
Error symbol on the display.

**NOTE: If the unit does not function properly after you have pressed the RESET button, clean the socket and the connector on the rear of the front panel with a cotton swab soaked in isopropyl alcohol and try again.**

## USB and SD/MMC operations



CD MULTI SECTION MODE When press AUDIO button for more than 2 seconds, it is activated as selecting mode of these function.



CD MULTI ON/OFF mode is selected by rotary VOL left or right

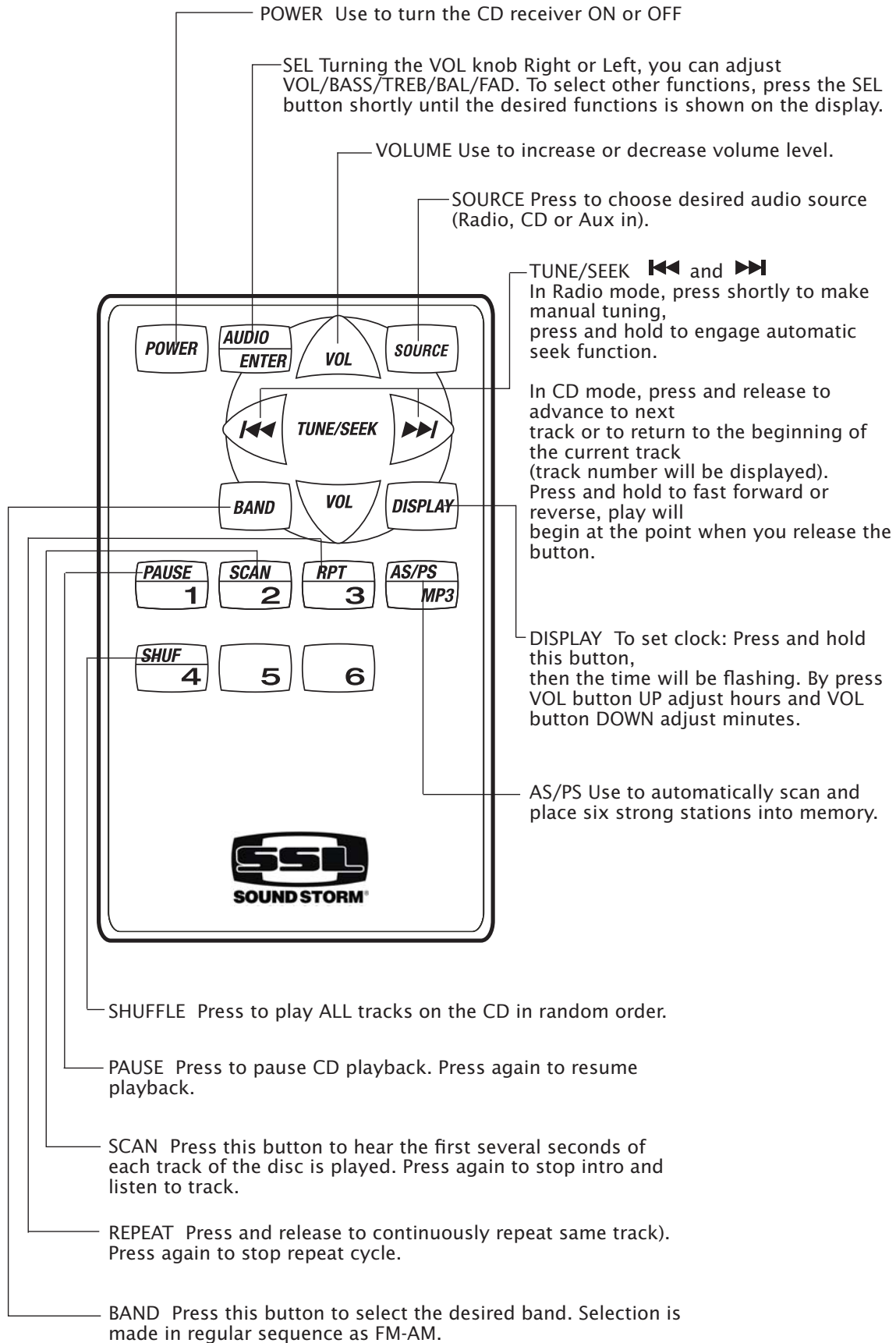
CD MULTI ON: Read multi section CD.

CD MULTI OFF: Read first section only.

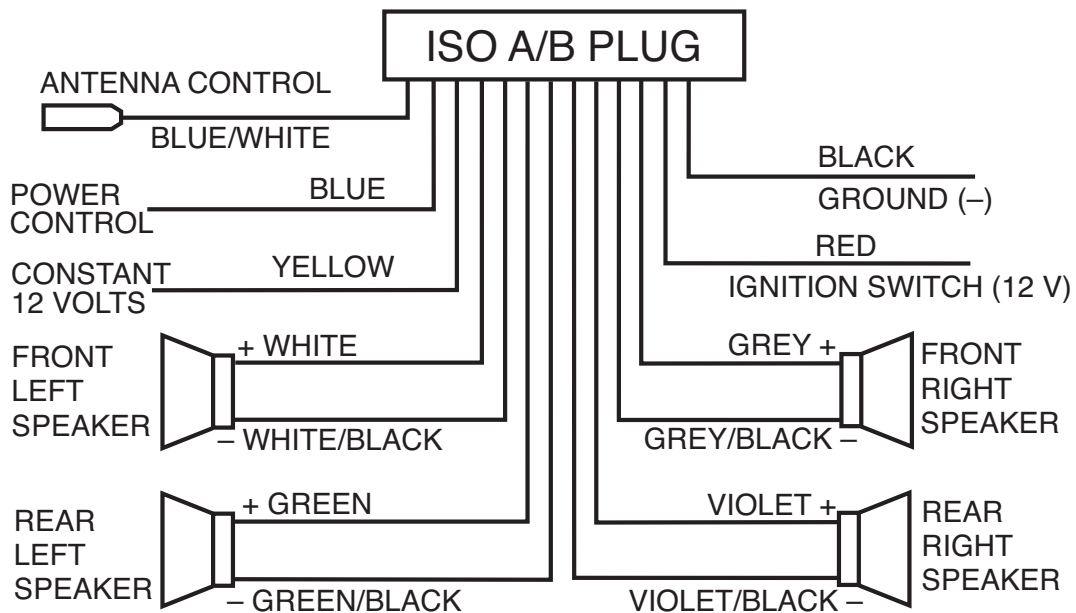
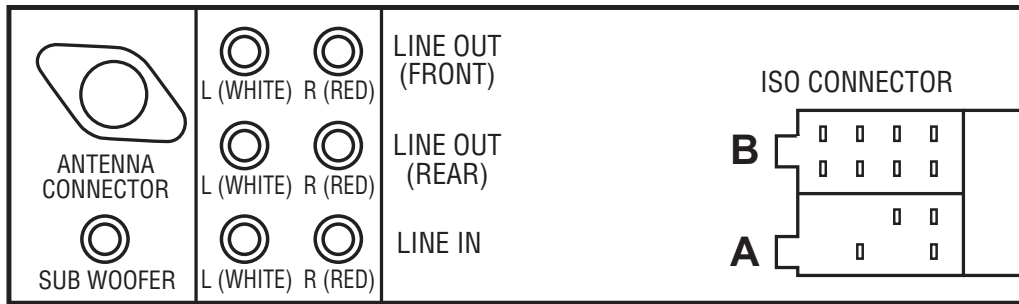
### \* **IMPORTANT INFORMATION:**

BECAUSE OF THE GREAT VARIETY OF PRODUCTS WITH USB, SD AND MMC CARD PORTS AND THEIR SOMETIMES QUITE MANUFACTURER-SPECIFIC FUNCTIONS WE CAN NEITHER GUARANTEE THAT ALL DEVICES WILL BE RECOGNIZED NOR THAT ALL OPERATING OPTIONS THAT ARE POSSIBLE IN THEORY WILL ACTUALLY WORK

## Remote controls functions



## Electrical connections



### **NOTE for TWO SPEAKER SYSTEMS:**

1. The following wires are not used and should be isolated:  
GREEN ■ VIOLET ■ WHITE/BLACK ■ GREY/BLACK
2. Keep the fader control AT CENTER POSITION to maintain the existing volume level

## Auxiliary input feature

This CD Receiver features an Auxiliary Input jack on the back side of the unit. An external audio source such as a portable audio player or a DVD player may be connected via this input jack.

## Troubleshooting

<b>Symptom</b>	<b>Cause</b>	<b>Solution</b>
<b>No power.</b>	The car ignition switch is not on.	<i>If the head unit is properly connected to the car accessory power circuits, but the engine is running, switch the ignition key to the "ACC" position.</i>
	The fuse is blown.	<i>Replace the fuse.</i>
<b>Disc cannot be loaded or ejected.</b>	There is a disc already in the CD player.	<i>Remove disc in player and try again.</i>
	Disc is inserted upside down.	<i>Insert the disc with the label facing up.</i>
	Disc is dirty or defective.	<i>Clean the disc, or play a new one.</i>
	Car interior temperature is too high.	<i>Allow temperature to cool down to a normal level.</i>
<b>No sound.</b>	Excess atmospheric humidity or condensation is present.	<i>Leave player off for an hour or so, and then try again.</i>
	Volume is set to minimum.	<i>Adjust volume to desired level.</i>
<b>Sound skips.</b>	Wiring not properly connected.	<i>Check wiring connections.</i>
	Head unit is installed at an angle of greater than 30° from horizontal.	<i>Adjust installation angle to less than 30° from horizontal.</i>
<b>Keys on front panel do not operate.</b>	Disc is dirty or defective.	<i>Clean the disc, or play a new one.</i>
	The built-in microprocessor is not operating properly due to noise.	<i>Press the RESET button.</i>
<b>Radio does not work, or the radio automatic selection function does not work.</b>	Front panel is not properly fixed in place.	<i>Remove front panel, press RESET button, and re-insert front panel.</i>
	Antenna cable not connected.	<i>Insert the antenna cable firmly into connector.</i>
	The signals are too weak to be received properly.	<i>Select station manually.</i>

## Specifications

### SM630U

MP3-Compatible AM/FM CD Receiver

#### CD/MP3 PLAYER

<b>Signal to Noise Ratio</b>	> 60dB
<b>Channel Separation</b>	> 45 dB
<b>Frequency Response</b>	20Hz - 20 kHz

#### RADIO

##### *FM Section:*

<b>Frequency range</b>	87.5-107.9 MHz
<b>Intermediate frequency</b>	10.7 MHz
<b>Sensitivity</b>	3 $\mu$ V
<b>Stereo separation</b>	30 dB
<b>Signal to noise ratio</b>	50 dB
<b>Channel step</b>	200 kHz

##### *AM Section:*

<b>Frequency range</b>	530-1710 KHz
<b>Intermediate frequency</b>	450 KHz
<b>Usable Sensitivity</b>	32 dB $\mu$ V

#### TONE CONTROLS

<b>Bass (at 100Hz)</b>	+/- 10 dB
<b>Treble (at 10kHz)</b>	+/- 10 dB

#### LINE-OUT

<b>Output</b>	5 V (max.)
<b>Impedance</b>	10kOhm

#### AMPLIFIER

<b>Maximum output power</b>	60 watts x 4 channels
-----------------------------	-----------------------

#### GENERAL

<b>Power Supply</b>	12V DC (10.8-15.6V allowable)
<b>Chassis dimensions</b>	7" x 6-1/4" x 2" (178 x 159 x 51 mm)
<b>Weight</b>	4.4 lb. (2 kg)



#### Instructions on environment protection

Do not dispose of this product in the usual household garbage at the end of its life-cycle; hand it over at a collection point for the recycling of electrical and electronic appliances. The symbol on the product, the instructions for use or the packing will inform about the methods for disposal.

The materials are recyclable as mentioned in this marking. By recycling, material recycling or other forms of reutilization of old appliances, you are making an important contribution to protect our environment.

Please inquire at the community administration for the authorized disposal location.