

ML39USA

MP3-COMPATIBLE FM RECEIVER



SOUNDSTORM[®]
LABORATORIES

3451 LUNAR COURT, OXNARD CA 93030

PHONE: 888.38.STORM

805.983.8008

FAX: 805.983.7068

TECHNICAL SUPPORT

www.soundstormlab.com



8518



User Manual

ML39USA

MP3-COMPATIBLE FM RECEIVER

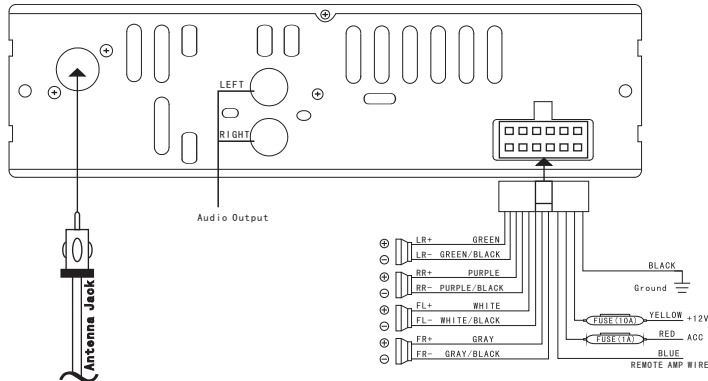
Safety Instruction

- ★ This unit is for use in a +12V, negative ground system, please do not install the unit to a +24V truck or bus, otherwise the unit will be damaged.
- ★ Please do not replace the power fuse without professional guidance. Improper use of fuses may cause damage or fire.
- ★ Do not disassemble or repair the unit by yourself. Please contact out technicalsupport for further assistance.
- ★ To avoid electric shock, or any unnecessary damage and or fire, please do not install near or around where water will contact the product.

Note:

1. Before using the unit for the time, press the Reset key on the panel.

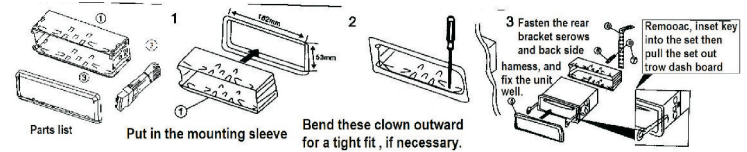
Back Panel Wiring Diagram



Installation and Removal Steps

Installation

1. Put the machine on the right location in the car, connect the machine with reference to the wiring diagram, test if machine can work properly.
2. After test OK, wrap the connect wire with insulating tape to ensure that the wiring completely insulated.
3. Press hook of sets 1 inward, set sets 1 into the dashboard and fix it.
4. Push machine 2 into metal frame and lock it.



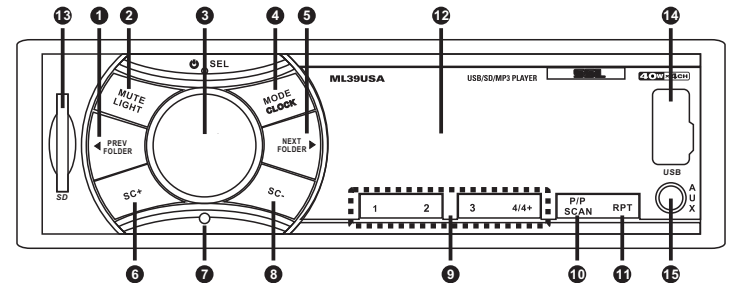
Dismantling:

Insert the dismantling key into the key hole of device until the hook lock is open, then get the device and key out.

Remark:

1. Don't install the device in the place of impeding driving or may hurt passenger by emergency brake..
2. In order to install the device properly, please use our accessories only, or else it may cause unnecessary damages. If it needs to drill or have any necessary changes during the installation process, please contact with the nearby dealer.

Panel Description



- | | | |
|-----------------------------|---------------------|---------------|
| 1 PREV/Folder backward | 6 Scan+ | 11 RPT |
| 2 Mute, Light on/off | 7 Reset | 12 Display |
| 3 Volume, Power on/off, SEL | 8 Scan- | 13 SD Socket |
| 4 Mode/Clock | 9 Numeric key 1~4/+ | 14 USB Socket |
| 5 Next/Folder forward | 10 Pause/Play/Scan | 15 Aux Socket |

Operation

Power ON/OFF

For Standby, Press and Hold for 2 secs. **Ⓜ** To Power OFF, press **Ⓜ** Button to Power ON.

Mode

Press button **Ⓜ** to cycle through sources:

FM→AUX→USB→SD→FM

*Note: If USB or SD is not populated, it will skip the source(s).

Clock

If ON, Press and Hold **Ⓜ** to display the clock, to enter the time, Press and Hold again: **Ⓜ** turn left **Ⓜ** to adjust hour, turn right **Ⓜ** to adjust minute.

Volume

Turn **Ⓜ** button left/right to decrease or increase the volume.

Range: 0 ~ 40.

Encoder SEL

Press **Ⓜ** continuously, to adjust or cycle through:

“BASS→TREBLE→BALANCE→FADER→EQ→LOU→VOL”.

BASS: Turn the knob left/ right to decrease/increase Bass Range: -7 ~ +7.

TREBLE: Turn the knob left/ right to decrease/increase Treble Range: -7 ~ +7.

BALANCE: Control L/R speaker balance.

FADER: Control F/R speaker fade from front to rear bias.

EQ: To cycle through NORM→POP→ROCK→JAZZ→CLAS→COU→NORM.

LOUD: Turn the knob left/ right to on/off LOUD.

Mute / Button Light

While ON, press **Ⓜ** button to turn ON/OFF the mute function.

Button illumination default as ON, Press and Hold **Ⓜ** (2 seconds) to turn off the illumination, to turn ON, Press and Hold **Ⓜ** (2 seconds).

FM Function

Automatic Scan (SCAN)

In FM mode, Press **Ⓜ** button into automatic scan.

The radio station that found will be played by 1 second and saved accordingly, then go for next one. To stop auto scan function, you can press **Ⓜ** button again.

Radio tuning (PREV/NEXT)

In FM mode, Press **Ⓜ** to backward, Press and Hold **Ⓜ** (2 seconds) to backward search stations; Press **Ⓜ** to forward radios, Press and Hold **Ⓜ** (2 seconds) to forward search stations; Press **Ⓜ** to micro-adjust frequency backward, Press and Hold **Ⓜ** (2 seconds) to forward search stations; Press **Ⓜ** to micro-adjust frequency forward, Press and Hold **Ⓜ** (2 seconds) to backward search stations;

Saving Presets

Preset up to 50 radio stations, in FM mode, Press and Hold numeric key button can save the current radio station in this button position, numeric key button can be used alone or continuously, or mixed.

Single numeric key

1. Press and Hold numeric key button 2 to save the current radio station in P02, same way to the other numeric keys.
2. Press numeric key 2 then Press and Hold (2 seconds) numeric key 2 to save the current radio station in P22, same way to the other numeric keys.
3. Press numeric key 2 then Press and Hold (2 seconds) numeric key 3 to save the current radio station in P23, same way to the other numeric keys.

Composite numeric keys

1. Press numeric key 4+ then Press and Hold numeric key 3 to save the current radio station in P07, same way to the other numeric keys.
2. Continuously Press key 4+ twice and Press and Hold key 3 to save the current radio station in P11, same way to the other numeric keys.

Recalling Presets

In FM mode, Press the numeric key of the saved radio station, the numeric key button can be used alone or continuously, or mixed.

Single numeric key

1. Press key 2 to callout the radio station saved in P02, same way for other numeric keys.
2. Continuously Press key 2 twice to callout the radio station saved in P22, other presets are recalled in the same manner with repeating digits.
3. Press key 2 then Press key 3 to callout the radio station saved in P23, other presets are recalled in the same manner.

Composite numeric key

1. Press key 4/4+ then Press key 3 to callout the radio station saved in P07, other presets are recalled in the same manner.
2. Continuously Press key 4/4+ twice and Press key 3 to callout the radio station saved in P11, etc...

Playing Music Function

Play/Pause

In music playing mode, Press **Ⓜ** button to Pause, and Press **Ⓜ** button again to play.

Repeat playing music

In music playing mode, Press **Ⓜ** to cycle “ALL→INT→RAN→SIN→FOL”.

Shift folder/ PREV/NEXT

In music playing mode, Press **Ⓜ** to backward songs, Press and Hold **Ⓜ** (2 seconds) to backward folders; Press **Ⓜ** to forward songs, Press and Hold **Ⓜ** (2 seconds) to forward folders; Press **Ⓜ** to forward songs, Press and Hold **Ⓜ** (2 seconds) to fast forward songs; Press **Ⓜ** to backward songs, Press and Hold **Ⓜ** (2 seconds) to fast playback.

Numeric keys

In music playing mode, numeric keys can be used alone or continuously, or mixed.

Aux-In Function

AUX mode

Press **Ⓜ** button for AUX mode, an external audio source can be connected to the AUX port.

*Track and Folder buttons are not functional in AUX mode.

Specifications

FM

Tuning range	87.5 – 107.9 MHz (at 200 kHz step)
Intermediate frequency	10.7 MHz
Usable sensitivity	11 dBf
Selectivity	75 dB at 400 kHz
Signal-to-noise ratio	50 dB
T.H.D @ 1 kHz	0.3 %
Separation	33 dB at 1 kHz
Frequency Response	30 – 15,000 Hz

Power amplifier section

Speaker Impedance	4 – 8 ohms
Peak Power:	40 W x 4 (at 4Ω)

General

Outputs	Front Pre-Amp Outputs
Tone controls	Bass ±10 dB at 100 Hz Treble ±10 dB at 10 kHz
Power Requirements	+12 VDC, Negative Ground
Dimensions: (L x H x D)	7" x 2" x 5.1" (178 x 50 x 130 mm)
Weight:	1.5 lb (0.7 kg)

Troubleshooting

Issues	Possible Causes	Solutions
Unit not powering On	Is the Key in the ACC or IGN position?	Press the Power button.
	Fuse is burnt.	Check and replace fuse with appropriate size and rating.
No sound	It is mute or the volume is at zero.	Adjust the volume to your required level.
	Wires are improperly connected.	Check the wiring diagram and make sure wires are properly connected.
Incorrectly reading USB or SD card	Error or not recognizing the media.	Remove and re-insert, check media files.
Audio Distortion	Volume level too high.	Lower the volume to a comfortable level.
	Speaker cables are contacting bare metal.	Properly connect and secure all connections.
Poor tuner reception	Antenna might be powered.	Check to see if the antenna needs to be powered by the remote out wire.
	Weak signal.	Change the station.
Unit is freezing	Not responsive.	Turn off the power and power it on again.
		Reset the unit, by pressing the RESET button.